

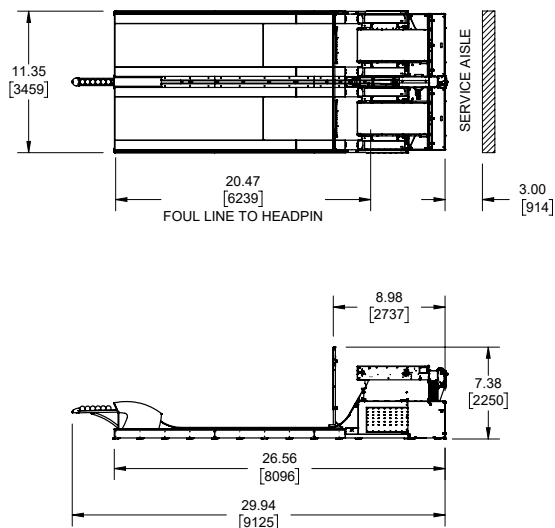


Space Required - Standard Length Unit

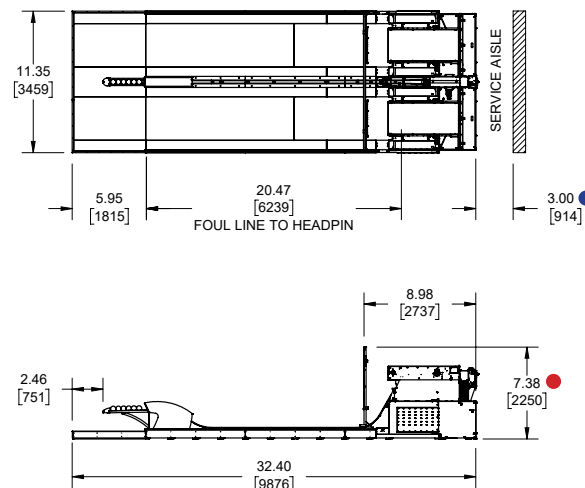
A lane pair of Standard Fly'n Ducks can be installed in space as little as 32'-3"L x 11'-4"W x 7'-6"H. This includes a 4' players area in the front and 1'-8" minimum service aisle behind the machines.

Available with or without the traditional bowler approach platform. Foregoing the bowler approach platform saves additional space and provides ADA accessibility without the need for ramps.

Standard Fly'n Ducks, no Approach



Standard Fly'n Ducks, with Approach



- A 3' (914 mm) service aisle behind the machines is recommended. The minimum service aisle width is 1.64' (500 mm)
- The 7.38' (2250 mm) mask height shown is for the graphic mask. The video mask option requires 8.63' (2631 mm)

Lane Length Options

Choose from 4 lane lengths starting with Standard and increasing in 12' increments up to Regulation – which is a full-size regulation duckpin bowling lane.

Length	Benefits	Bowler Approach (ft)	Lane & Pin Deck Surface (ft)	Overall Length (ft)
Standard	The smallest possible footprint and maximum revenue/square foot	No Approach	24	30
		6' Approach	24	32.5
Midway	A slightly more challenging playing experience than the Standard length	No Approach	36	42
		6' Approach	36	44.5
Three-Quarter	A more traditional duckpin experience in less space than the Regulation length	12' Approach	48	62.5
Regulation	The traditional, regulation-length duckpin bowling experience	12' Approach	63	78
		16' Approach	63	82